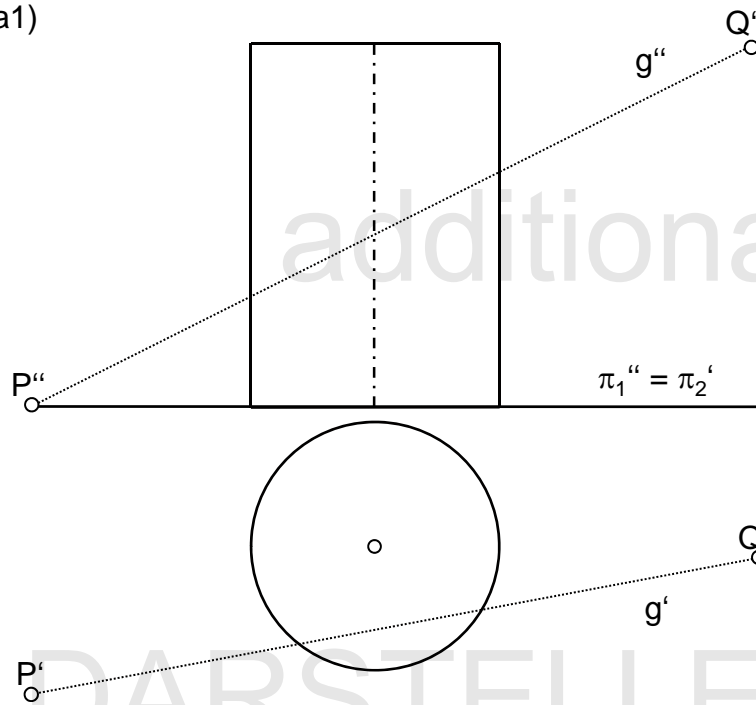
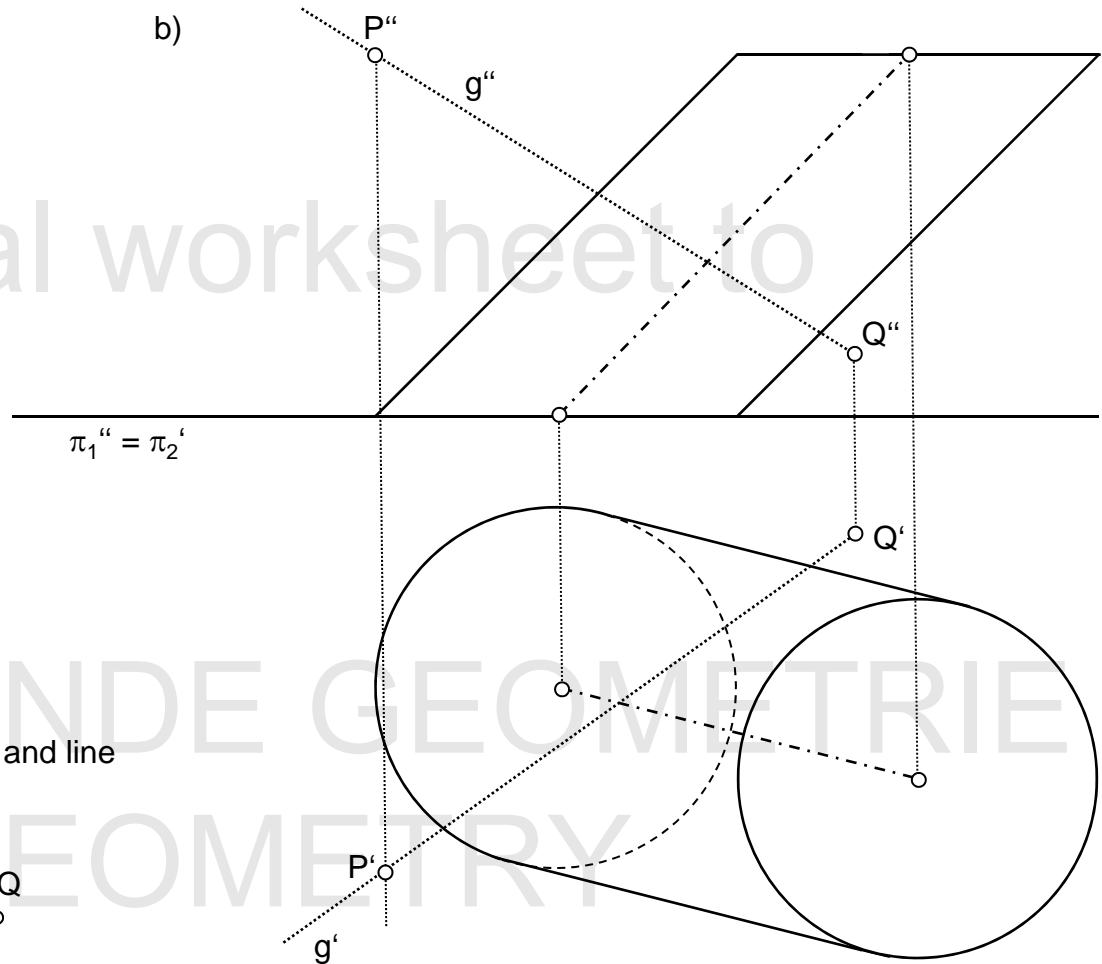


A cylinder is intersected by line g [PQ]. Determine the plan and front view of the intersection.

a1)



b)



a2) Additional task: Define the intercepts of the cylinder and line g in the given axonometric view.

