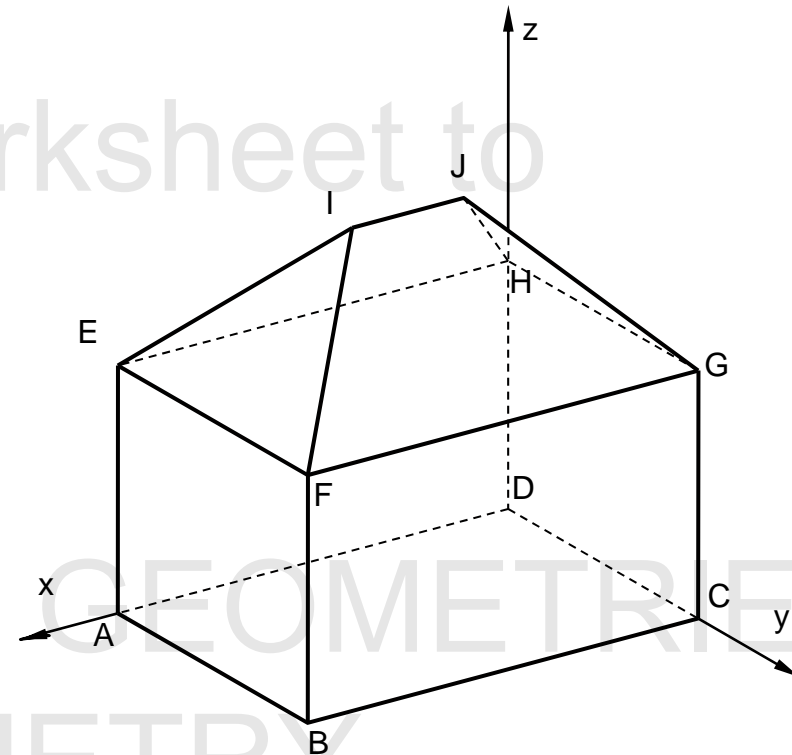


a) Fill in the gaps- tick correct term:

	Principle Position			Edge View in		
	1 st	2 nd	3 rd	π_1	π_2	π_3
AB						
BC						
CD						
DA						
BF						
CG						
DH						
AE						
FG						
GH						
HE						
EF						
EI						
FI						
GJ						
HJ						
IJ						



b) Fill in the gaps- tick correct term:

	Principle Position			Edge View in		
	1 st	2 nd	3 rd	π_1	π_2	π_3
AB						
BC						
CD						
DA						
BE						
CF						
DK						
AL						
GM						
HN						
JO						
EF						
IF						
IK						
KJ						
JH						
IG						
EG						
MN						
NO						
OL						
LM						
LS						
MS						
NS						
OS						

